

lagoon® Advanced Care

Essential set

The perfect complement for any dry-cleaning operation

Features and benefits

**Keep customers coming back**

Outstanding results for garments of every type thanks to specialized detergents and dedicated programs

**Delicate on the delicates**

Gentle on fine textiles and wools labelled dry-clean only, as less mechanical action. Woolmark-approved

**Rapid return on investment**

With a better loading factor, less prespotting, easier finishing and faster process times

**Sustainable and eco-friendly**

Water-based cleaning with none of the disadvantages of PERC, which can be dangerous to staff

**Dry to dry in 1 hour**

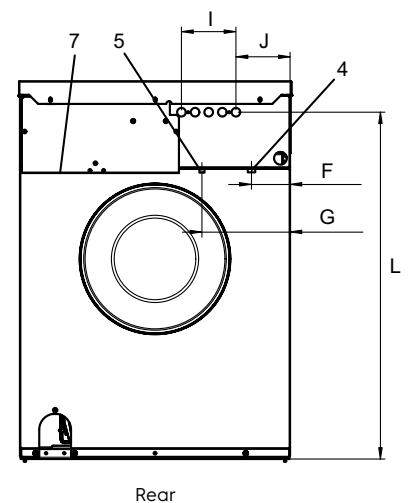
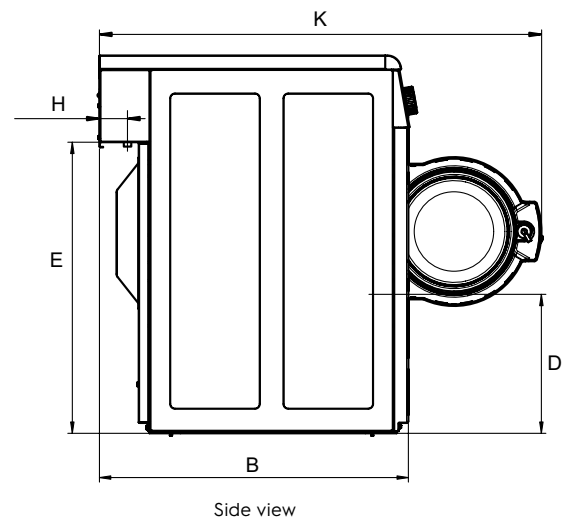
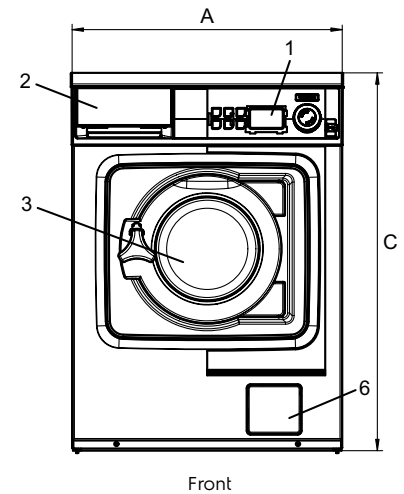
Smart chemicals and processes mean garments are fully dried in the dryer - no hang-dry



Main specifications				W555H	T5130
Max. capacity	Laundry	filling factor 1:9	kg	6	-
	Wool	filling factor 1:15	kg	4	-
	Silk	filling factor 1:18	kg	3	-
Max. capacity	Drying	filling factor 1:18	kg	-	7
Drum,	volume		litre	53	130
	diameter		∅ mm	452	575
Extraction			rpm	1450	-
G-factor				530	
Heating alternative		electricity	kW	4.4	5.1
Consumption data "lagoon 6W02CH"					
Total time	Wool High extraction		min	22	25
	Wool Medium extraction		min	23	-
	Silk		min	16	-
	AIO Mild		min	20	-
	AIO Care		min	17	-
	Curtains		min	-	-
Water consumption (cold+hot)	Wool High extraction		litre	26	-
	Wool Medium extraction		litre	25	-
	Silk		litre	25	-
	AIO Mild		litre	26	-
	AIO Care		litre	25	-
	Curtains		litre	-	-
Energy consumption (motor/heating/water)	Wool High extraction		kWh	0.05/0.25	-
	Wool Medium extraction		kWh	0.05/0.25	-
	Silk		kWh	0.05/0.2	-
	AIO Mild		kWh	0.05/0.3	-
	AIO Care		kWh	0.05/0.25	-
	Curtains		kWh	-	-
Consumption data "Normal 60°C"					
Total time			min	49	32
Water consumption (cold+hot)			litre	38+10	-
Energy consumption (motor/heating/hot water)			kWh	0.2/0.2/0.6	2.78
Residual moisture			%	46	-
Evaporation			g/min	-	92.8
Energy/Water evaporation			kWh/l	-	0.94

Electrical connections					
Heating alternative	Main voltage		Heating power kW	Total power kW	Recommended fuse A
		Hz			
Electric heated	220-240V 1N ~	50/60	2.2/2.8	2.4/3.0	16
	220-240V 1N ~	50/60	4.4	4.6	20
	220-230V 1N ~	50/60	4.4	4.6	25
	220-240V 3 ~	50/60	4.4	4.6	16
	220-230V 3 ~	50/60	4.4	4.6	20
	380-415V 3N ~	50/60	4.4	4.6	10
	380-415V 3 ~	50/60	3.6	3.8	10
	440V/480 3 ~	60	4.0/4.4	4.3/4.7	10
Non heated	220-480V 1/3 ~	50/60	-	0.5	10

Water connections		W555H	
Water valves	DN	20	
Water pressure	kPa	200-500	
Capacity at 300 kPa	l/min	17	
Drain valve	ø mm	50	
Draining capacity	l/min	160	
Liquid detergent supplies		5	
Floor requirements			
Frequency of the dynamic force	Hz	24.2	
Floor load at max extraction	kN	1.02 ± 0.3	
Sound levels			
Sound pressure level*			
Wash	dB(A)	<70	
Extraction	dB(A)	72	
Heat emission			
% of installed power, max		5	
Shipping data**			
Shipping volume	net, kg crated, m ³	100 0.46	
Accessories			
Stainless steel fluff collector		x	
Stacking kit with tumble dryer		x	
Steel base		x	
Dimensions in mm			
A	Width	595	
B	Depth	681	
C	Height	832	
D		306	
E		641	
F		84	
G		194	
H		48	
I		120	
J		119	
K		974	
L		764	
1	Operating panel	5	Hot water
2	Detergent box	6	Drain pump
3	Door opening ø 255 mm	7	Electrical connection
4	Cold water		



Front and side panels in light grey and blue (RAL 260 70 05, 250 60 30)

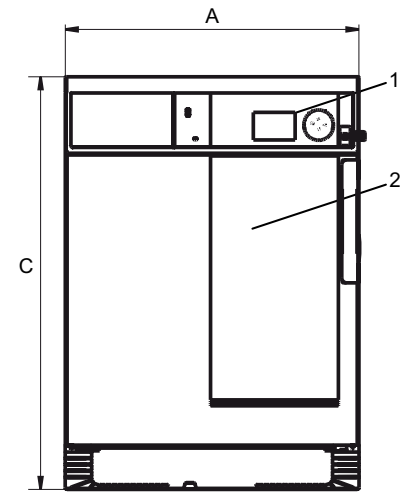
* A-weighted emission sound pressure level at workingstations.

** Average data. Crated weight/shipping volume depends on configuration. Please contact logistics for exact measures.

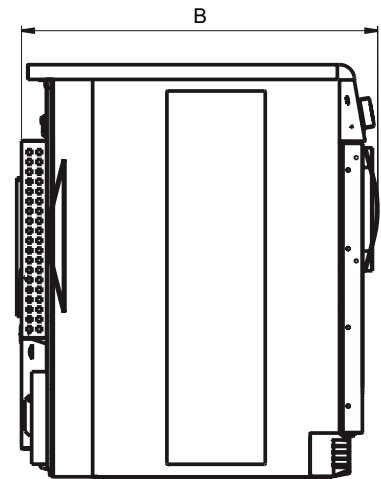
Electrical connections					
Heating alternative	Main voltage		Heating power kW	Total power kW	Recommended fuse A
		Hz			
Electric heated	220-230V 1 ~	50/60	3.1	3.3	16
	240V 1 ~	50/60	3.2	3.5	16
	220-230V 3 ~	50/60	3.1	3.3	16
	240V 3 ~	50/60	3.2	3.5	16
	220-230V 3 ~	50/60	4.9	5.1	16
	240V 3 ~	50/60	5.1	5.4	16
	380-400V 3 ~	50/60	4.9	5.1	10
	415V 3 ~	50/60	5.1	5.3	10
	440V 3 ~	60	5.1	5.4	10
	480V 3 ~	60	5.1	5.3	10
	380-400V 3N ~	50/60	4.9	5.1	10

Connections		T5130
Air outlet	mm	∅ 100
Maximum air flow	m ³ /h	240
Condensate		-
Maximum static back pressure	Pa	80
Sound levels		
Airborne sound level	dB(A)	<70
Heat emission		
% of installed power, max		15
Shipping data*		
Shipping volume	net, kg m ³	58 0.51
Accessories		
Stacking frame for mounting T5130 on top of W555H		x
Stainless steel base frame		x
Dimensions in mm		
A Width		597
B Depth		725
C Height		839
D		138
E		50
F		89
G		200
1 Operating panel 2 Door opening ∅ 370 mm 3 Electrical connection 4 Exhaust connection		

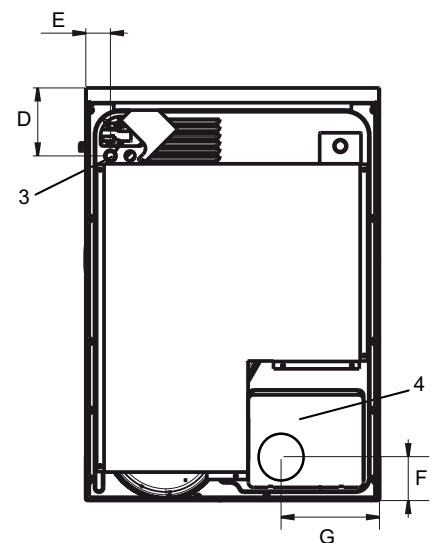
* Average data. Crated weight/shipping volume depends on configuration. Please contact logistics for exact measures.



Front



Left side



Rear side



For more information about Efficient Dosing System please refer to the EDS Product Data Sheet

Efficient Dosing System	230V~
ED complete kit with 3 pumps	988916902
ED complete kit with 4 pumps	988916903
ED complete kit with 5 pumps	988916904
ED complete kit with 6 pumps	988916905
ED Controller	988916937
ED 24V Interface	988916941

Electrolux name and description	Packaging 20 litres	Packaging 10 litres
lagoon Sensitive Detergent Professional detergent for natural/animal fiber	432730597	432730598
lagoon Sensitive Conditioner Professional conditioner for natural/animal fiber	432730599	432730600
lagoon Delicate 2 in 1 Professional delicate universal detergent	432730601	432730602



BASE; open front & sides

Suitable for models: W555H, T5130
Material: Stainless steel.
Art. No:
9889186-10 (height 200 mm)
9889186-11 (height 290 mm)
9889186-12 (height 555 mm)

BASE; closed front & sides

Suitable for models: Base frame for stacked installation
W555H, T5130.
Material: Galvanised steel.
Art. No:
9889182-26 (height 100 mm)

STACKING KIT

Suitable for models: W555H and T5130
Art. No:
9888020-31