

# EDS - Efficient Dosing System



## Product description

Efficient Dosing System automatically adjusts the quantity of detergent to the real load of your Electrolux Professional washer extractor

The real load is measured at the beginning of the program thanks to Electrolux's either Automatic Saving System or Integrated Weighing System of the washer extractor. Once the weight is measured, the water and detergent levels are adjusted at each program step to deliver the best wash result in a sustainable way

## Features and benefits

- Compatible with Electrolux Professional Laundry washer extractors equipped with Compass Control<sup>®</sup>, Compass Pro<sup>®</sup> or Clarus Control<sup>®</sup> \*
- Knows the selected program directly from the washer extractors control panel, operator has to choose the program in one location only which makes it easier and reduces the risk of wrong detergent formula selection
- Variable temperature and time process validation to fulfill different hygiene regulation in different countries
- Integrated USB port to collect statistics and monitor easily the savings
- PC software to prepare the formulas and upload in the controller via a USB memory for an easy installation
- 350 ml squeeze tube for a fast dosing of detergent
- Made on measure for Electrolux Professional Compass Control<sup>®</sup>, Compass Pro<sup>®</sup> and Clarus Control<sup>®</sup> all connections delivered with the apparel for an easy and quick installation
- Available in 2, 3, 4, 5 or 6 pumps version to match any kind of application

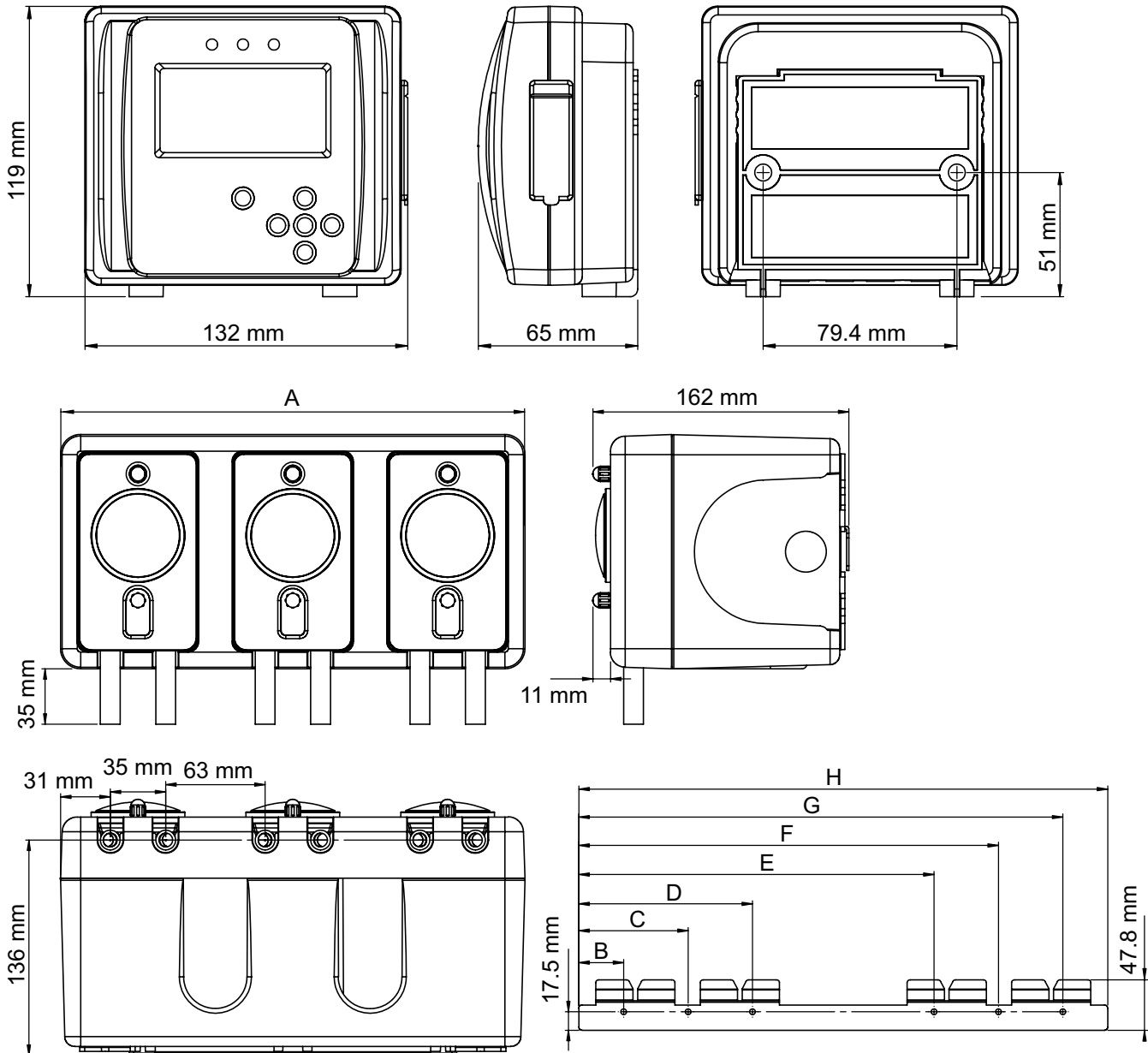
## Main options with other separate PNCs'

- 500 ml squeeze tubes for a fast dosing on bigger washer extractors
- Flush manifold for a long distance (above 10 m) pump installation from the washer extractors
- Standalone power cable for controller that work for ED controller temperature validation process without pumps

\* For models W4400H-W41100H which has the CPU unit located in the front, with the serial No's as below, we strongly recommend you to check on the location if the machine is installed with DMIS. If not, it is necessary to order and install a DMIS-kit BEFORE the EDS can be connected to the machine. The Art. No. for the DMIS kit is 988916197.

W4400H, W4600H up to -980/1287  
W4850H, W41100H up to -1220/636

Description	230V, 50/60Hz	115V, 60Hz
EDS complete kit with 2 pumps	988916901	988916911
EDS complete kit with 3 pumps	988916902	988916912
EDS complete kit with 4 pumps	988916903	988916913
EDS complete kit with 5 pumps	988916904	988916914
EDS complete kit with 6 pumps	988916905	988916915



	2 pumps	3 pumps	4 pumps	5 pumps	6 pumps
<b>Dimensions</b>					
A	196	293	391	489	586
B	24.4	42.5	24	42.5	42.5
C	N/A	103.5	85	103.5	103.5
D	85.3	164.5	225	164.5	164.5
E	N/A	N/A	281	318	336.5
F	N/A	N/A	N/A	379	397.5
G	N/A	N/A	N/A	N/A	458
H	110	207	305	403	501
<b>Weight</b>	4 kg	4.5 kg	5 kg	6 kg	7 kg