

# Laundry Press – Air operated with live steam

## FPA5-WC



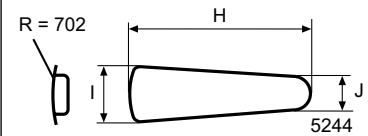
### Features and benefits

- High temperature polished head dries the fabric and gives it a flat finish
- High pressure achieves an excellent finish
- Adjustable pressure regulator for pressing different fabrics
- Air operated reduces operator fatigue
- Safety two button closing improves operator safety
- Padded buck reduces impressions
- Buck/bottom steam for heavy creases and for applying moisture
- Buck vacuum cools fabric and holds it in place

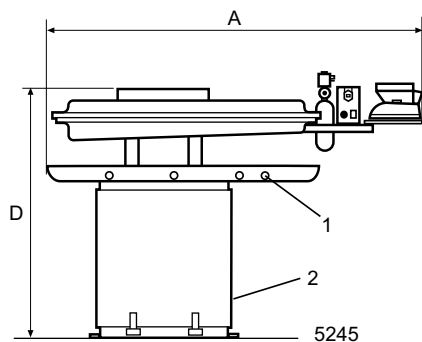
### Main options

- Features that simplify the installation
  - Integral vacuum fan
  - Integral air compressor
  - Integral steam boiler – 10, 12, 15 or 18 kW
- All steam iron for safe operation
- Electric steam iron
- Safety head guard (CE) improves operator safety
- Adjustable release timer simplifies the operation and ensures consistent results

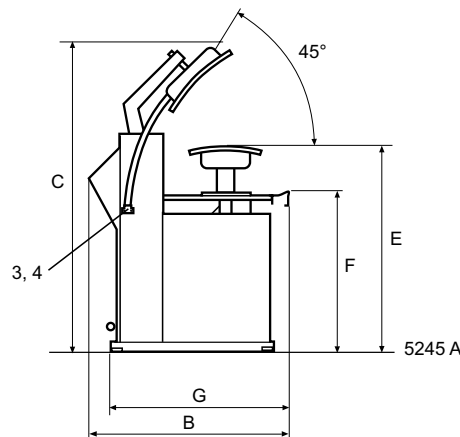
| Electrical connections                                                                                                                                                                                                                                                                                           | Standard            | Optional        |                 |                    |                     |      |
|------------------------------------------------------------------------------------------------------------------------------------------------------------------------------------------------------------------------------------------------------------------------------------------------------------------|---------------------|-----------------|-----------------|--------------------|---------------------|------|
|                                                                                                                                                                                                                                                                                                                  |                     | Built-in boiler | Built-in vacuum | Built-in air comp. | Electric steam iron |      |
| <b>Voltage, standard</b>                                                                                                                                                                                                                                                                                         |                     |                 |                 |                    |                     |      |
| 208-240V 1 AC 50/60 Hz                                                                                                                                                                                                                                                                                           | kW                  | 0.1             | -               | 0.4                | 0.55                | 0.8  |
| <b>Voltage, built-in boiler</b>                                                                                                                                                                                                                                                                                  |                     |                 |                 |                    |                     |      |
| 208-240V 3 AC 50/60 Hz                                                                                                                                                                                                                                                                                           | alt. 10 kW          | -               | 10              | -                  | -                   | -    |
| 230V 3 AC 50/60 Hz                                                                                                                                                                                                                                                                                               | 12 kW               | -               | 12              | -                  | -                   | -    |
| 380-400V 3 AC 50 Hz                                                                                                                                                                                                                                                                                              | 15 kW               | -               | 15              | -                  | -                   | -    |
|                                                                                                                                                                                                                                                                                                                  | 18 kW               | -               | 18              | -                  | -                   | -    |
| <b>Steam, air and vacuum connection</b>                                                                                                                                                                                                                                                                          |                     |                 |                 |                    |                     |      |
| Steam                                                                                                                                                                                                                                                                                                            | DN                  | 15              | -               | 15                 | 15                  | 15   |
| Rec. steam pressure                                                                                                                                                                                                                                                                                              | kPa                 | 500             | -               | 500                | 500                 | 500  |
| Steam consumption                                                                                                                                                                                                                                                                                                | kg/h                | 20              | -               | 20                 | 20                  | 20   |
| Condensate                                                                                                                                                                                                                                                                                                       | DN                  | 15              | -               | 15                 | 15                  | 15   |
| Compressed air                                                                                                                                                                                                                                                                                                   | DN                  | 10              | 10              | 10                 | -                   | 10   |
| Rec. air pressure                                                                                                                                                                                                                                                                                                | kPa                 | 700             | 700             | 700                | -                   | 700  |
| Air consumption                                                                                                                                                                                                                                                                                                  | l/min               | 60              |                 |                    |                     |      |
| Central vacuum                                                                                                                                                                                                                                                                                                   | mm                  | Ø100            | Ø100            | -                  | Ø100                | Ø100 |
| Vacuum air consumption                                                                                                                                                                                                                                                                                           | m <sup>3</sup> /h   | 400             | 400             | -                  | 400                 | 400  |
| Vacuum depression                                                                                                                                                                                                                                                                                                | mm H <sub>2</sub> O | 250             | 250             | -                  | 250                 | 250  |
| Vacuum outlet                                                                                                                                                                                                                                                                                                    | mm                  | -               | -               | Ø100               | -                   | -    |
| <b>Shipping data</b>                                                                                                                                                                                                                                                                                             |                     |                 |                 |                    |                     |      |
|                                                                                                                                                                                                                                                                                                                  | net, kg             | 226             | 320             |                    |                     |      |
|                                                                                                                                                                                                                                                                                                                  | crated, kg          | 294             | 370             |                    |                     |      |
|                                                                                                                                                                                                                                                                                                                  | boxed, kg           | 344             | 425             |                    |                     |      |
| <b>Dimensions in mm</b>                                                                                                                                                                                                                                                                                          |                     |                 |                 |                    |                     |      |
| <b>A</b> Width                                                                                                                                                                                                                                                                                                   |                     | 1450            | 1450            | 1450               | 1450                | 1450 |
| <b>B</b> Depth                                                                                                                                                                                                                                                                                                   |                     | 1100            | 1100            | 1100               | 1100                | 1100 |
| <b>C</b> Height                                                                                                                                                                                                                                                                                                  |                     | 1450            | 1450            | 1450               | 1450                | 1450 |
| <b>D</b>                                                                                                                                                                                                                                                                                                         |                     | 1250            | 1250            | 1250               | 1250                | 1250 |
| <b>E</b>                                                                                                                                                                                                                                                                                                         |                     | 1030            | 1030            | 1030               | 1030                | 1030 |
| <b>F</b>                                                                                                                                                                                                                                                                                                         |                     | 800             | 800             | 800                | 800                 | 800  |
| <b>G</b>                                                                                                                                                                                                                                                                                                         |                     | 920             | 920             | 920                | 920                 | 920  |
| <b>H</b>                                                                                                                                                                                                                                                                                                         |                     | 1190            | 1190            | 1190               | 1190                | 1190 |
| <b>I</b>                                                                                                                                                                                                                                                                                                         |                     | 370             | 370             | 370                | 370                 | 370  |
| <b>J</b>                                                                                                                                                                                                                                                                                                         |                     | 230             | 230             | 230                | 230                 | 230  |
| <ol style="list-style-type: none"> <li>1 Control panel</li> <li>2 Electrical connection</li> <li>3 Steam connection</li> <li>4 Condensate</li> <li>5 Air connection</li> <li>6 Water supply – int. boiler only</li> <li>7 Boiler drain – int. boiler only</li> <li>8 Vacuum outlet – int. vacuum only</li> </ol> |                     |                 |                 |                    |                     |      |



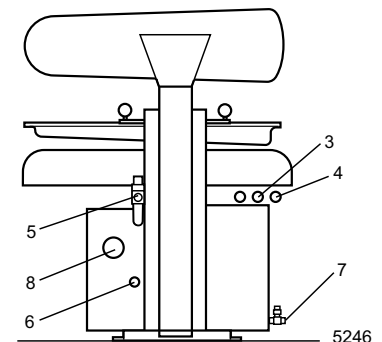
Utility shape



Front



Left side



Rear side