

Tumble dryer

T5300S

Features and benefits

- High productivity – 2 full loads per hour per pocket
- Low energy consumption for optimal efficiency and economy
- Selection of temperature and time for easy operation
- Customized user panels for specific user needs – available for Coin and OPL (On Premises Laundry)
- Large door opening for easy loading and unloading
- Easy access to vital parts from front and rear for simple servicing
- With Compass Pro program control
 - Large and clear display for easy program selection
 - Easy access with user-friendly interface
 - Language selection
 - Service program for adjustment of parameters
 - USB connection
- Serviceprogram for adjustment of parameters eg. temperature and cool-down time
- The coin version with Ecopower to avoid over drying of the garments and get a lower energy consumption

Main options

- Stainless steel front
- Stainless steel drum
- Residual Moisture Control - RMC
- Reversing drum
- Payment: coinmeter with Ecopower, chipcard reader, central payment connection



Images shown are a representation of the product only and variations may occur.

Main specifications**			T5300S			
Rated capacity, filling factor 1:18		kg/lb	16.7/37			
	filling factor 1:25	kg/lb	12/26			
Drum volume		litre	300			
Drum diameter		mm	760			
Heating	gas	BTU/h (kW)	71 700 (21)			
	el	kW	9.0 / 13.5 / 18.0			
Consumption data*			Gas	EI 9.0 kW	EI 13.5 kW	EI 18.0 kW
Total time at 13.6 kg		min	21	43	29	24
Energy consumption at 13.6 kg		kWh	7.11	6.65	6.51	6.51
Evaporation		g/min	329	160	231	279
Energy kWh/litre water evaporated		kWh/l	1.03	0.96	0.97	0.97

* At rated capacity 100% cotton load at 50% initial moisture dried to 0%.

** Value per pocket

Produced according to ISO 9001 and ISO 14001.

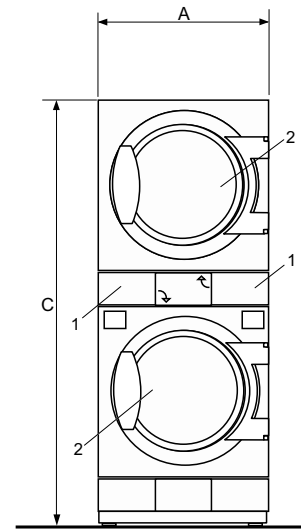
Certified with CB certificate for Low Voltage Directive and S-mark according to the Machinery Directive. Protection class IP X4D.

Electrical connections					
Heating alternative	Main voltage	Hz	Heating power kW	Total power kW	Recommended fuse A
Gas heated	120V 1 - 208-240V 1 - 200V 3 - 220-240V 1 - 380-480V 3 -	60 60 50/60 50/60 50/60	- - - - -	1.0 1.0 1.0 1.0 1.0	15 15 10 10 10

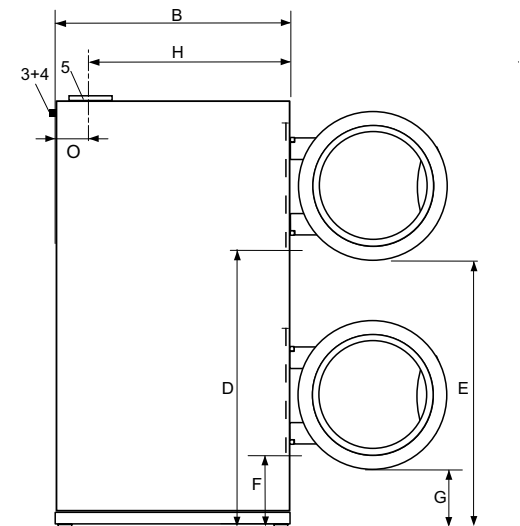
Gas and air connections		T5300S	
Gas		ISO 7/1-R	1/2"
Gas pressure	Natural gas	Pa	2000
		mbar	20
Propane		Pa	2800-5000
		mbar	28-50
Air outlet		Ø mm	200
Evacuated air,	gas/el	m ³ /h	600
Pressure drop	gas/el	Max. Pa	400
Sound levels			
Sound power/pressure level at drying*		dB(A)	76/60
Heat emission			
% of installed power, max			15
Shipping data**			
		net, kg	289
		crated, m ³	2.03
Dimensions in mm			
A	Width		790
B	Depth		1115
C	Height		1940
D			1270
E			1210
F			320
G			260
H			905
I			140
J			1930
K			30
L			105
M			1840
N			740
O			210
1	Operating panel		
2	Door opening Ø 580 mm		
3	Electric connection		
4	Gas connection		
5	Exhaust connection		

* Sound power levels measured according to ISO 60704.

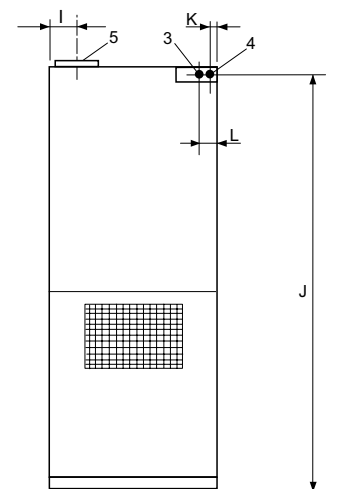
** Average data. Crated weight/shipping volume depends on configuration. Please contact logistics for exact measures.



Front



Left side



Rear side

